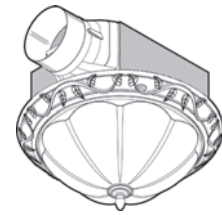


## DECORATIVE VENTILATION FAN WITH LIGHT



### READ AND SAVE THESE INSTRUCTIONS

#### WARNING

TO REDUCE THE RISK OF FIRE, ELECTRIC SHOCK, OR INJURY TO PERSONS, OBSERVE THE FOLLOWING:

1. Use this unit only in the manner intended by the manufacturer. If you have questions, contact the manufacturer at the address or telephone number listed in the warranty.
2. Before servicing or cleaning unit, switch power off at service panel and lock the service disconnecting means to prevent power from being switched on accidentally. When the service disconnecting means cannot be locked, securely fasten a prominent warning device, such as a tag, to the service panel.
3. Installation work and electrical wiring must be done by a qualified person(s) in accordance with all applicable codes and standards, including fire-rated construction codes and standards.
4. Sufficient air is needed for proper combustion and exhausting of gases through the flue (chimney) of fuel burning equipment to prevent backdrafting. Follow the heating equipment manufacturer's guideline and safety standards such as those published by the National Fire Protection Association (NFPA), and the American Society for Heating, Refrigeration and Air Conditioning Engineers (ASHRAE), and the local code authorities.
5. When cutting or drilling into wall or ceiling, do not damage electrical wiring and other hidden utilities.
6. Ducted fans must always be vented to the outdoors.
7. Do not install in a tub or shower enclosure.
8. Not for use in kitchens.
9. This unit must be grounded.
10. This unit is U.L. listed. Type I.C. inherently protected.

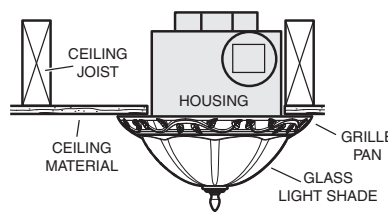
#### CAUTION

1. For general ventilating use only. Do not use to exhaust hazardous or explosive materials and vapors.
2. This product is designed for installation in FLAT CEILINGS ONLY. Do not mount this product in a wall.
3. The light fixture assembly must be mounted to the fan housing assembly included with this product. Do not mount the light fixture assembly to a wiring outlet box.
4. To avoid motor bearing damage and noisy and/or unbalanced impellers, keep drywall spray, construction dust, etc. off power unit.
5. Please read specification label on product for further information and requirements.

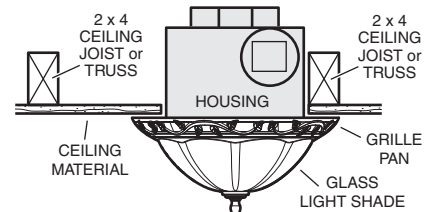
**Installer: Leave this manual with the homeowner.**

**Homeowner: Use and Care information on page 4.**

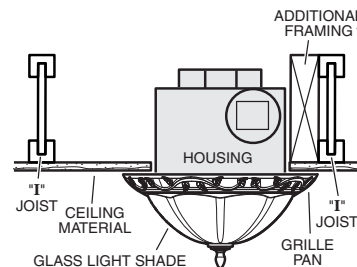
#### TYPICAL INSTALLATIONS



**HOUSING MOUNTED DIRECTLY TO JOIST 2x6 (or larger)**  
*Discharge parallel to joists.*



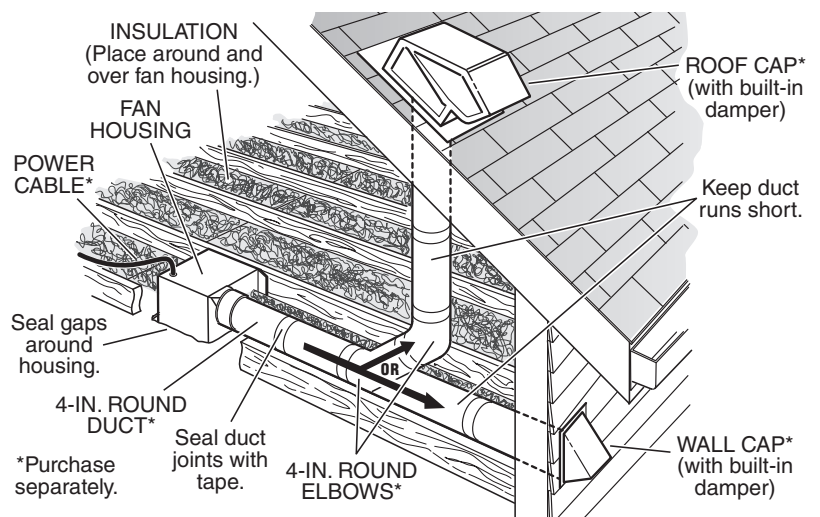
**HOUSING MOUNTED TO 2x4 TRUSS**  
*Discharge parallel to joists.*



**HOUSING MOUNTED TO "1" JOIST**  
*Requires additional framing for mounting.*  
*Discharge parallel to joists.*

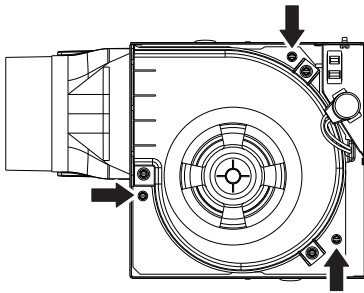
\* Additional framing must be a 2x6 (minimum height), at least 9-inches long.

#### PLAN THE INSTALLATION

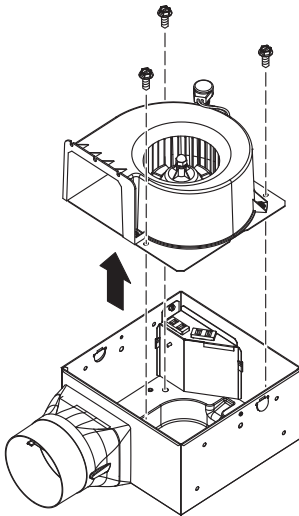


\*Purchase separately.

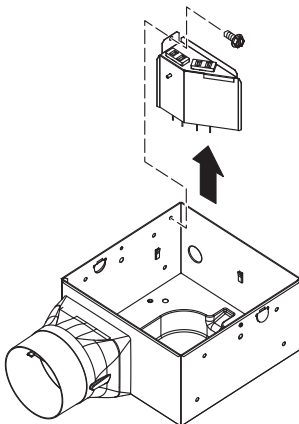
## PREPARE THE HOUSING



1. Unplug blower and remove (3) screws securing blower assembly to housing.



2. Remove blower assembly from housing and set blower assembly aside.

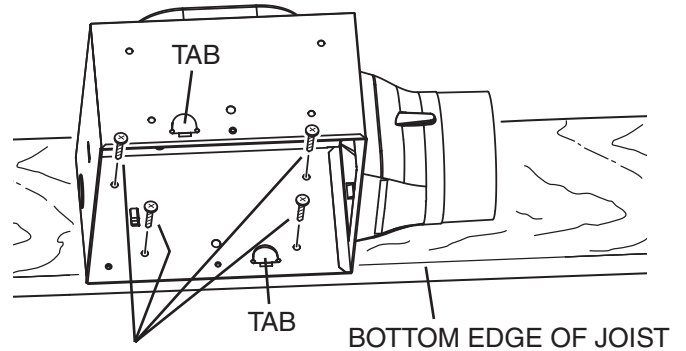


3. Remove wiring plate from housing and set plate aside.

## INSTALL THE HOUSING

### New Construction

1. Choose the location for your fan/light in the ceiling. For best possible performance, use the shortest possible duct run and a minimum number of elbows.



2. Position fan housing against joist so that bottom edge of housing will be flush with finished ceiling.

#### Additional positioning feature for 1/2" thick ceiling material:

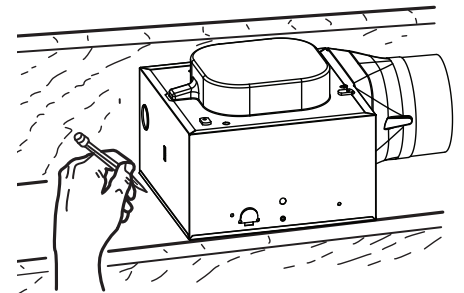
Bend two tabs, on side of housing, 90° outward. Lift housing until tabs contact bottom edge of joist.

3. Use (4) mounting screws (included) to attach housing to joist.

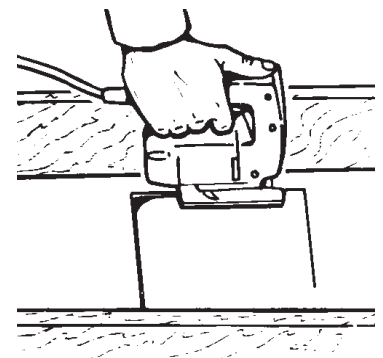
### Existing Construction

1. Choose the location for your fan/light in the ceiling. For best possible performance, use the shortest possible duct run and a minimum number of elbows.

2. In attic, position fan housing against joist. Trace outline of housing on ceiling material.

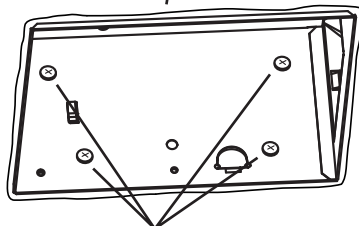


3. Set housing aside and cut ceiling opening slightly larger than marked.



- Place housing in opening so that its bottom edge is flush with finished ceiling. Screw housing to joist through holes in housing as shown.
- Seal between ceiling material and housing to prevent air leakage.

SEAL BETWEEN CEILING MATERIAL & HOUSING

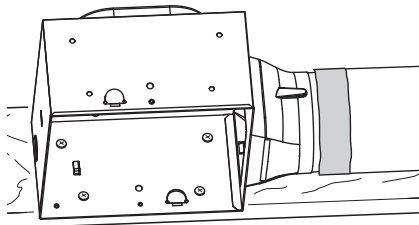


MOUNTING SCREWS

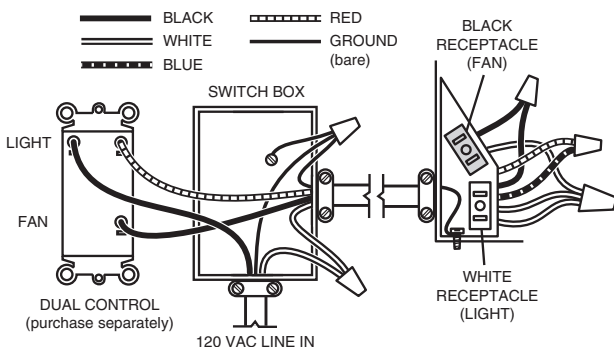
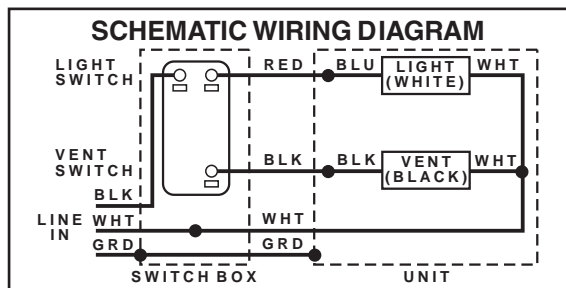
## INSTALL THE DUCTWORK

**NOTE:** The duct connector has a counter-balanced damper flap. The flap will be "open" approx. 1" when duct connector is attached to housing. This design permits insulation to be in direct contact with fan/light housing per UL (Underwriters Laboratories) standards. The slightest backdraft, however, will close the damper flap, preventing air from entering unit or finished space.

- Connect 4" round duct to damper/duct connector and extend duct to outside through a roof or wall cap. Check damper to make sure that it opens freely. Tape all duct connections to make them secure and air tight.

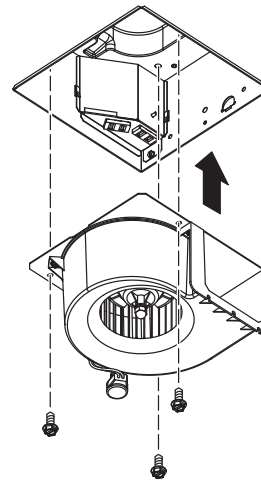


## CONNECT THE WIRING

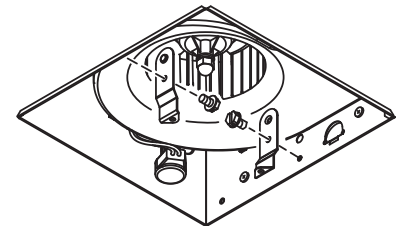


- Wire unit as shown. Re-install wiring plate removed in Step 2 under "PREPARE THE HOUSING".
- Run electrical cable as direct as possible to unit. Do not allow cable to touch sides or top of unit after installation is complete.

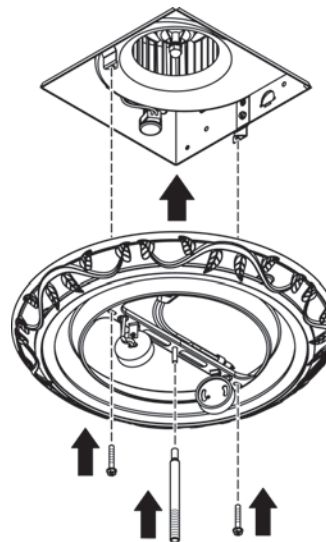
## FINISH THE INSTALLATION



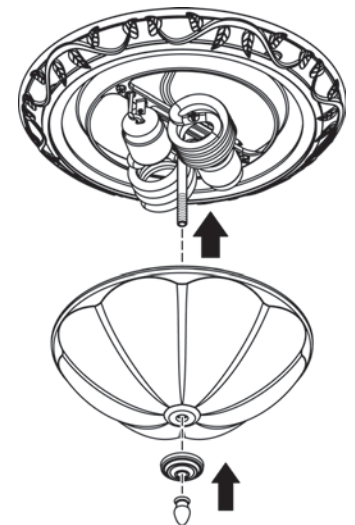
- Re-install blower assembly removed in Step 1 under "PREPARE THE HOUSING". Plug blower into black receptacle.



- Attach grille pan mounting brackets to housing with screws (included). Make sure brackets face inward.



- Locate grille pan over fan housing and connect light plug into white receptacle in fan housing.
- Attach grille pan to mounting brackets with (2) screws (included).
- Thread rod onto threaded stud in center of grille pan. Tighten rod securely.



- Install bulbs. Use 13-watt (maximum), GU24 type, fluorescent bulbs.
- Place glass shade over mounting rod and align shade over grille pan. Secure shade to grille pan with finial cap and finial nut as shown.
- Restore electrical power and check operation of the unit.

## USE AND CARE

**WARNING: DISCONNECT ELECTRICAL POWER SUPPLY AND LOCK OUT SERVICE PANEL BEFORE CLEANING OR SERVICING THIS UNIT.**

### BULB REPLACEMENT

Remove glass shade. Replace bulbs as required. Replace glass shade.

Use 13 Watt (maximum), GU24 type, fluorescent bulbs with a M.O.L. (Maximum Overall Length) of 4.8 inches or less.

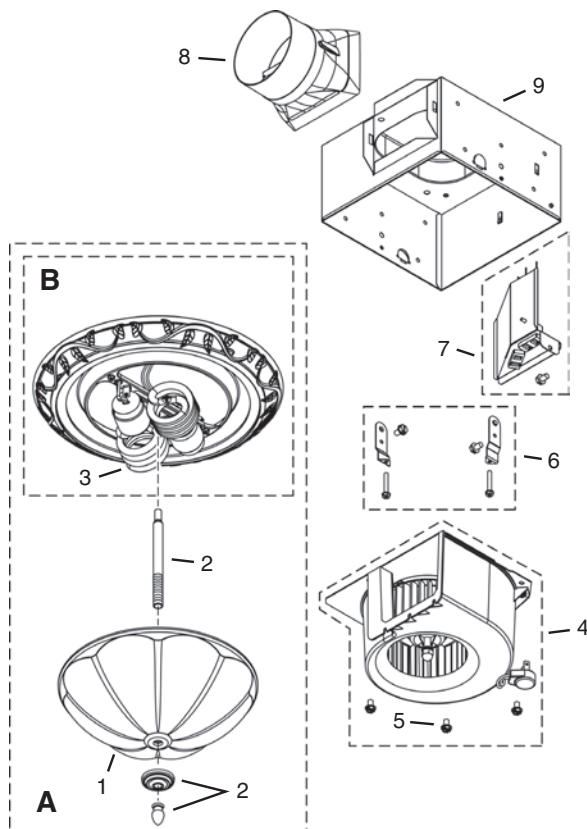
### MOTOR LUBRICATION

The motor is permanently lubricated. Do not oil or disassemble motor.

## SERVICE PARTS

KEY NO.	PART NO.	DESCRIPTION
1	99526708	Glass Shade
2	97018648	Shade Mounting Hardware
3	99271452	Lamp, 13W GU24 Type Fluorescent (2 req.)
4	97018749	Blower Assembly (includes Key No. 5 - 3 req.)
5	99160441	Screw, Motor #8-32 x .275 (3 req.)
6	97018781	Grille Bracket Assembly
7	97018750	Wire Panel Assembly
8	97018804	Damper / Duct Connector
9	97018729	Housing Assembly
A	97018716	Light Fixture Assembly (includes Key Nos. 1, 2 & B)
B	97018751	Grille Pan Assembly (Does not include Key No. 3)

Order replacement parts by "PART NO." - not by "KEY NO."



## USE AND CARE

### CLEANING

#### TO CLEAN GLASS SHADE AND GRILLE PAN:

Remove glass shade. Shade can be wiped clean with a mild detergent solution or glass cleaner and dried with a soft cloth. Remove 2 bulbs. Grille pan may be gently vacuumed and wiped clean with a soft cloth. Never use abrasive cloth, steel wool pads or scouring powders on glass shade or grille pan. METAL AND ELECTRICAL PARTS SHOULD NEVER BE IMMERSSED IN WATER.

#### TO CLEAN FAN ASSEMBLY:

Remove grille pan and unplug fan assembly (black receptacle). Gently vacuum fan, motor and interior of housing. METAL AND ELECTRICAL PARTS SHOULD NEVER BE IMMERSSED IN WATER.

## WARRANTY

### NUTONE VENTILATION FAN/LIGHTS LIMITED WARRANTY

**WARRANTY PERIOD:** NuTone warrants to the original consumer purchaser of its NuTone Ventilation Fan/light (the "Fan") that your Fan, including lamps/bulbs, will be materially free from defects in materials or workmanship for a period of one (1) years from the date of original purchase. The warranty on the lamps/bulbs provided with the Fan does not cover lamp/bulb breakage. This warranty does not cover accessories, such as speed controls, that may be purchased separately and installed with the Fan.

The limited warranty period for replacement parts, and for Fans repaired or replaced under this limited warranty, shall continue for the remainder of the original warranty period.

**NO OTHER WARRANTIES:** THE FOREGOING WARRANTIES ARE EXCLUSIVE AND IN LIEU OF ANY OTHER WARRANTIES, EXPRESS OR IMPLIED. NUTONE DISCLAIMS AND EXCLUDES ALL OTHER EXPRESS WARRANTIES, AND DISCLAIMS AND EXCLUDES ALL WARRANTIES IMPLIED BY LAW, INCLUDING WITHOUT LIMITATION THOSE OF MERCHANTABILITY AND FITNESS FOR A PARTICULAR PURPOSE. TO THE EXTENT THAT APPLICABLE LAW PROHIBITS THE EXCLUSION OF IMPLIED WARRANTIES, THE DURATION OF ANY APPLICABLE IMPLIED WARRANTY IS LIMITED TO THE PERIOD SPECIFIED FOR THE EXPRESS WARRANTY. Some states do not allow limitations on how long an implied warranty lasts, so the above limitation may not apply to you. Any oral or written description of the Fan is for the sole purpose of identifying it and shall not be construed as an express warranty.

**REMEDY:** During the applicable limited warranty period, NuTone will, at its option, provide replacement parts for, or repair or replace, without charge, any Fan or part thereof, to the extent NuTone finds it to be covered by and in breach of this limited warranty. NuTone will ship the repaired or replaced Fan or replacement parts to you at no charge. You are responsible for all costs for removal, reinstallation and shipping, insurance or other freight charges incurred in the shipment of the Fan or part to NuTone. This warranty does not cover (a) normal maintenance and service, (b) normal wear and tear, (c) any Fans or parts which have been subject to misuse, abuse, abnormal usage, negligence, accident, improper or insufficient maintenance, storage or repair (other than repair by NuTone), (d) damage caused by faulty installation, or installation or use contrary to recommendations or instructions, (e) any Fan that has been moved from its original point of installation, (f) damage caused by environmental or natural elements, (g) damage in transit, (h) natural wear of finish, (i) Fans in commercial or nonresidential use, or (j) damage caused by fire, flood or other act of God. This warranty covers only Fans sold in the United States or Canada or through distributors authorized by NuTone.

**EXCLUSION OF DAMAGES:** NUTONE'S OBLIGATION TO PROVIDE REPLACEMENT PARTS, OR REPAIR OR REPLACE, AT NUTONE'S OPTION, SHALL BE YOUR SOLE AND EXCLUSIVE REMEDY UNDER THIS LIMITED WARRANTY AND NUTONE'S SOLE AND EXCLUSIVE OBLIGATION. NUTONE SHALL NOT BE LIABLE FOR INCIDENTAL, INDIRECT, CONSEQUENTIAL OR SPECIAL DAMAGES ARISING OUT OF OR IN CONNECTION WITH THE FAN, ITS USE OR PERFORMANCE. Incidental damages include but are not limited to such damages as loss of time and loss of use. Consequential damages include but are not limited to the cost of repairing or replacing other property which was damaged if the Fan does not work properly.

Some states do not allow the exclusion or limitation of incidental or consequential damages, so the above limitation or exclusion may not apply to you. This warranty gives you specific legal rights, and you may also have other rights, which vary from state to state.

This warranty supersedes all prior warranties and is not transferable from the original consumer purchaser.

NUTONE SHALL NOT BE LIABLE TO YOU, OR TO ANYONE CLAIMING UNDER YOU, FOR ANY OTHER OBLIGATIONS OR LIABILITIES, INCLUDING, BUT NOT LIMITED TO, OBLIGATIONS OR LIABILITIES ARISING OUT OF BREACH OF CONTRACT OR WARRANTY, NEGLIGENCE OR OTHER TORT OR ANY THEORY OF STRICT LIABILITY, WITH RESPECT TO THE FAN OR NUTONE'S ACTS OR OMISSIONS OR OTHERWISE.

This warranty covers only replacement or repair of defective Fans or parts thereof at NuTone's main facility and does not include the cost of field service travel and living expenses.

Any assistance NuTone provides to or procures for you outside the terms, limitations or exclusions of this limited warranty will not constitute a waiver of such terms, limitations or exclusions, nor will such assistance extend or revive the warranty.

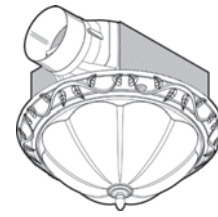
NuTone will not reimburse you for any expenses incurred by you in repairing or replacing any defective Fan, except for those incurred with NuTone's prior written permission.

**HOW TO OBTAIN WARRANTY SERVICE:** To qualify for warranty service, you must (a) notify NuTone at the address or telephone number stated below within seven (7) days of discovering the covered defect, (b) give the model number and part identification and (c) describe the nature of any defect in the Fan or part. At the time of requesting warranty service, you must present evidence of the original purchase date.

Broan-NuTone LLC, 926 West State Street, Hartford, WI 53027 (1-800-637-1453)

If you must send the Fan or part to NuTone, as instructed by NuTone, you must properly pack the Fan or part—NuTone is not responsible for damage in transit.

## VENTILADOR DECORATIVO CON LÁMPARA



### LEA Y CONSERVE ESTAS INSTRUCCIONES

#### ADVERTENCIA

PARA REDUCIR EL RIESGO DE INCENDIOS, DESCARGAS ELÉCTRICAS O LESIONES PERSONALES, OBSERVE LAS SIGUIENTES PRECAUCIONES:

1. Use la unidad solo de la manera indicada por el fabricante. Si tiene preguntas, comuníquese con el fabricante a la dirección o al número telefónico que se incluye en la garantía.
2. Antes de dar servicio a la unidad o de limpiarla, interrumpa el suministro eléctrico en el panel de servicio y bloquee los medios de desconexión del servicio para evitar que la electricidad se reanude accidentalmente. Cuando no sea posible bloquear los medios de desconexión del servicio, fije firmemente una señal de advertencia (como una etiqueta) en un lugar visible del panel de servicio.
3. Una o más personas calificadas deben realizar el trabajo de instalación y el cableado eléctrico, de acuerdo con todos los códigos y normas correspondientes, incluidos los códigos y normas de construcción específicos de protección contra incendios.
4. Es necesario suficiente aire para que se lleve a cabo una combustión y una extracción adecuadas de los gases a través del tubo de humos (chimenea) del equipo quemador de combustible, con el fin de evitar el contratiro. Siga las directrices y las normas de seguridad del fabricante del equipo de calefacción, como las publicadas por la Asociación Nacional de Protección contra Incendios (National Fire Protection Association, NFPA), la Sociedad Americana de Ingenieros de Calefacción, Refrigeración y Aire Acondicionado (American Society for Heating, Refrigeration and Air Conditioning Engineers, ASHRAE) y las autoridades normativas locales.
5. Al cortar o perforar a través de la pared o del techo, tenga cuidado de no dañar el cableado eléctrico ni otros servicios ocultos.
6. Los ventiladores en conductos siempre deben ventearse hacia el exterior.
7. No instale sobre una tina ni en duchas.
8. Esta unidad no está diseñada para utilizarse en cocinas.
9. Esta unidad debe estar conectada a tierra.
10. Esta unidad es aprobada por U.L. y tiene protección inherente del tipo I.C.

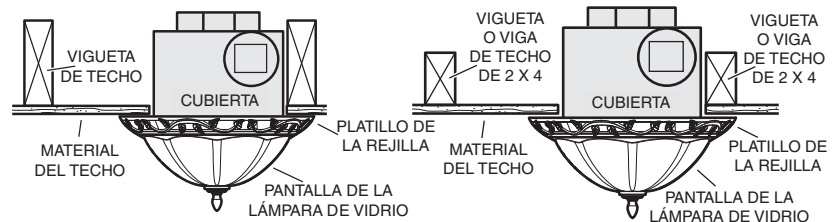
#### PRECAUCIÓN

1. Solo para usarse como medio de ventilación general. No debe usarse para la extracción de materiales o vapores peligrosos o explosivos.
2. Este producto está diseñado para instalarse SOLAMENTE EN TECHOS PLANOS. No monte este producto en una pared.
3. El conjunto del accesorio de la lámpara debe montarse en el conjunto de la cubierta del ventilador que se incluye con este producto. No monte el conjunto del accesorio de la lámpara en una caja de tomacorriente de cableado.
4. Para evitar daños a los cojinetes del motor y rotores ruidosos o desbalanceados, mantenga la unidad de potencia protegida contra rayados de yeso, polvos de construcción, etc.
5. Lea la etiqueta de especificaciones del producto para ver información y requisitos adicionales.

**Aviso al instalador: Deje este manual con el dueño de la casa.**

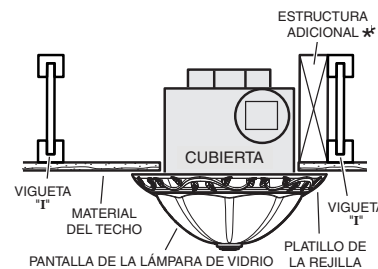
**Aviso al dueño de la casa: Las instrucciones de operación y limpieza se encuentran en la página 14.**

#### INSTALACIONES TÍPICAS



**CUBIERTA MONTADA DIRECTAMENTE EN LA VIGUETA 2 x 6 (o mayor)**  
Descarga paralela a las viguetas.

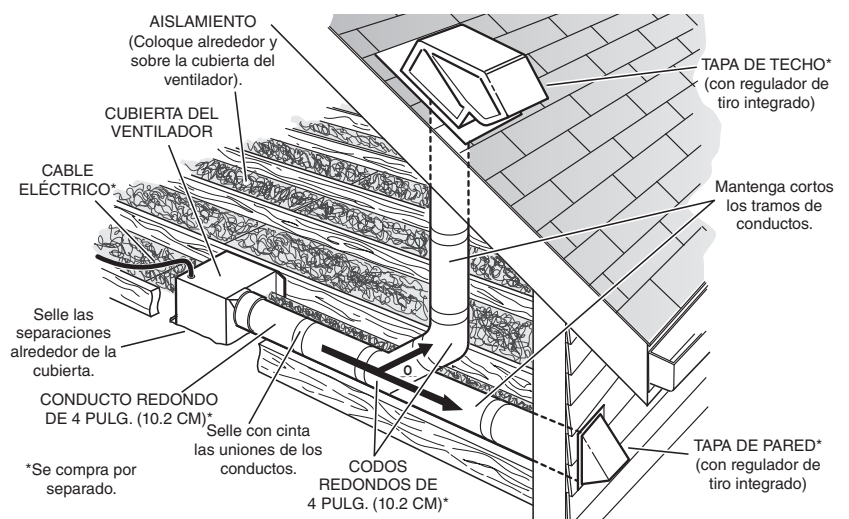
**CUBIERTA MONTADA EN UNA VIGA DE 2 X 4**  
Descarga paralela a las viguetas.



**CUBIERTA MONTADA EN UNA VIGUETA "I"**  
Se requiere una estructura adicional para el montaje.  
Descarga paralela a las viguetas.

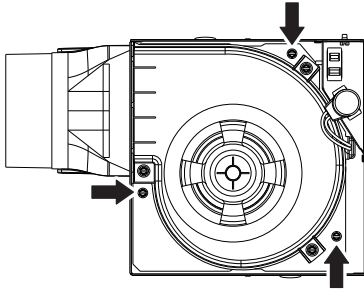
\* La estructura adicional debe ser un tramo de 2 x 6 (altura mínima), de al menos 9 pulgadas (22.9 cm) de largo.

#### PLANEACIÓN DE LA INSTALACIÓN

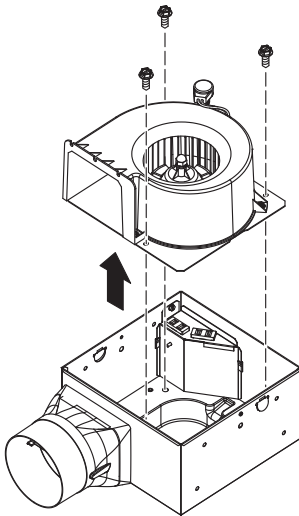


\*Se compra por separado.

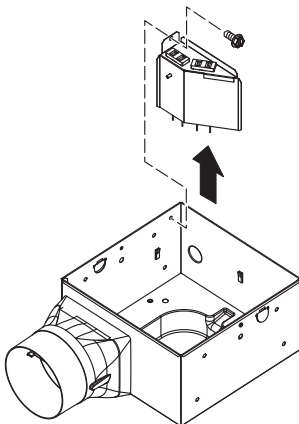
## PREPARACIÓN DE LA CUBIERTA



1. Desconecte el ventilador y retire los tres (3) tornillos que aseguran el conjunto del ventilador a la cubierta.



2. Retire el conjunto del ventilador de la cubierta y déjelo a un lado.

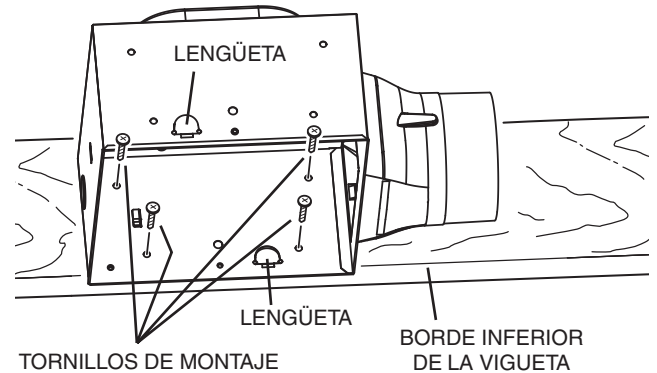


3. Retire la placa de cableado de la cubierta y déjela a un lado.

## INSTALACIÓN DE LA CUBIERTA

### Nueva construcción

1. Seleccione la ubicación del ventilador con lámpara en el techo. Para obtener el mejor desempeño posible, utilice el tramo de conducto lo más corto posible y el menor número de codos.



2. Coloque la cubierta del ventilador contra la vigueta, de manera que el borde inferior de la cubierta quede al ras del techo terminado.

#### Característica adicional para la colocación en material de techo de 1/2 pulg. (1.3 cm):

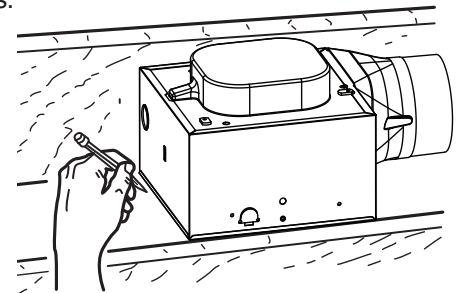
Doble a 90° y hacia afuera las dos lengüetas que se encuentran a los costados de la cubierta. Levante la cubierta hasta que las aletas entren en contacto con el borde inferior de la vigueta.

3. Use cuatro (4) tornillos de montaje (incluidos) para fijar la cubierta a la vigueta.

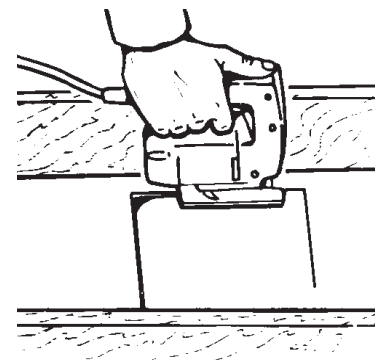
### Construcción existente

1. Seleccione la ubicación del ventilador con lámpara en el techo. Para obtener el mejor desempeño posible, utilice el tramo de conducto lo más corto posible y el menor número de codos.

2. En el ático, coloque la cubierta del ventilador contra la viga. Haga un trazo del perímetro de la cubierta en el material del techo.

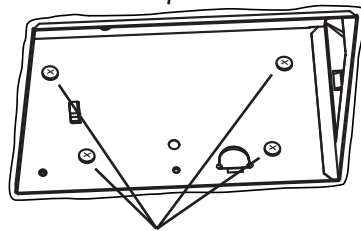


3. Deje la cubierta a un lado y corte la abertura del techo un poquito mayor que la trazada.



- Coloque la cubierta en la abertura de manera que su borde inferior quede al ras del techo terminado. Atornille la cubierta en la vigueta a través de los orificios de la cubierta, como se muestra.
- Aplique sellador entre el material del techo y la cubierta para evitar la fuga de aire.

APLIQUE SELLADOR ENTRE EL MATERIAL DEL TECHO Y LA CUBIERTA

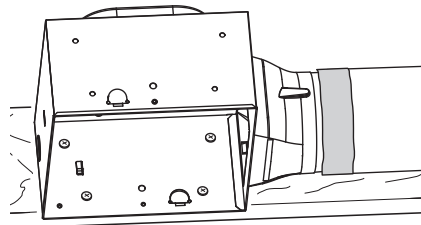


TORNILLOS DE MONTAJE

## INSTALACIÓN DEL SISTEMA DE CONDUCTOS

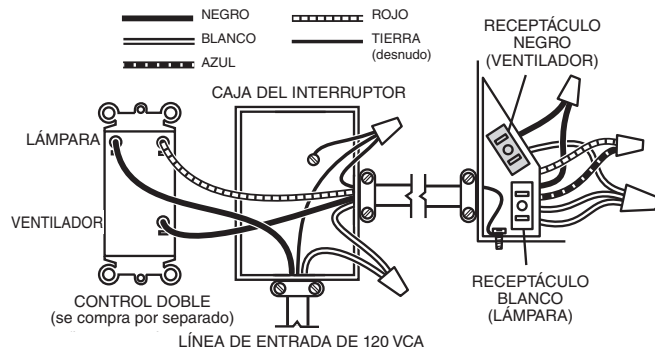
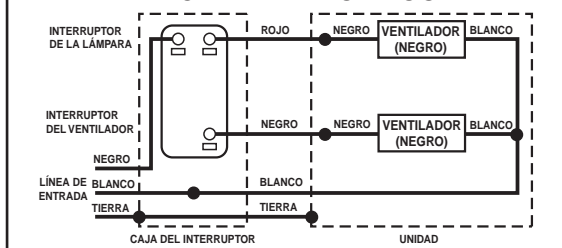
**NOTA:** El conector del conducto tiene una aleta compensadora para el regulador de tiro. Cuando el conector esté conectado en la cubierta, la aleta estará "abierta" aproximadamente 1 pulg. (2.5 cm). Este diseño permite que el material de aislamiento esté en contacto directo con la cubierta del ventilador con lámpara de acuerdo con las normas de UL (Underwriters Laboratories). Sin embargo, la más ligera corriente invertida cerrará la aleta del regulador de tiro, evitando así la entrada de aire a la unidad o al espacio terminado.

- Conecte el conducto redondo de 4 pulg. (10.2 cm) en el conector del regulador de tiro/conducto y extienda el conducto hasta el exterior a través de una tapa de techo o de pared. Revise el regulador de tiro para asegurarse de que abre libremente. Coloque cinta en todas las conexiones de los conductos para asegurarlas y hacerlas herméticas.



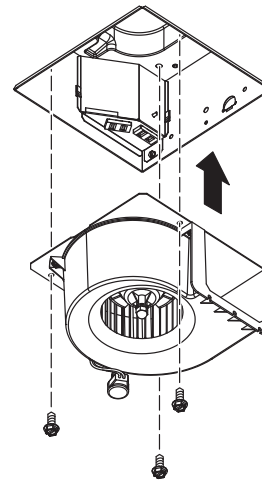
## CONECTE EL CABLEADO

### DIAGRAMA ELÉCTRICO

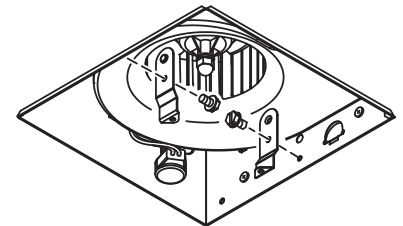


- Conecte la unidad como se muestra. Vuelva a colocar la placa de cableado que retiró en el Paso 2 bajo "PREPARACIÓN DE LA CUBIERTA".
- Extienda el cable eléctrico a la unidad tan directamente como sea posible. No permita que el cable toque los costados ni la parte superior de la unidad después de que la instalación esté terminada.

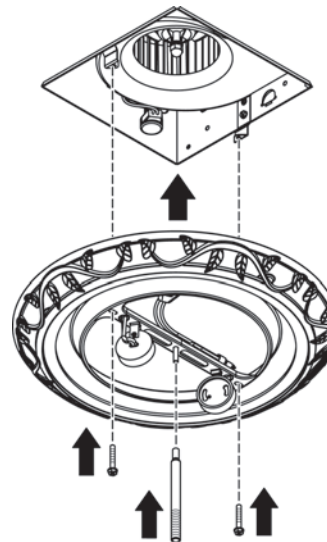
## FINALIZACIÓN DE LA INSTALACIÓN



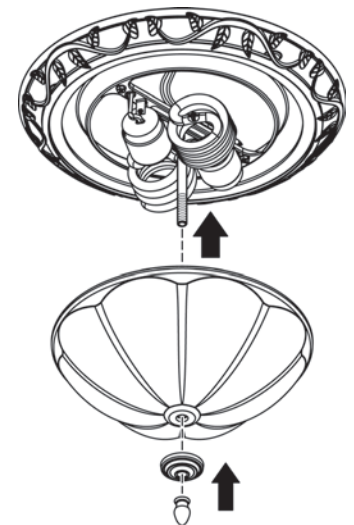
- Vuelva a colocar el conjunto del ventilador que retiró en el Paso 1 bajo "PREPARACIÓN DE LA CUBIERTA". Conecte el ventilador en el receptáculo negro.



- Fije los soportes de montaje del platillo de la rejilla a la cubierta con los tornillos (incluidos). Asegúrese de que los soportes queden orientados hacia el interior.



- Coloque el platillo de la rejilla sobre la cubierta del ventilador y conecte el enchufe de la lámpara en el receptáculo blanco de la cubierta del ventilador.
- Fije el platillo de la rejilla a los soportes de montaje con los dos (2) tornillos (incluidos).
- Enrosque la varilla en el perno roscado del centro del platillo de la rejilla. Apriete la varilla firmemente.



- Instale las bombillas. Utilice bombillas fluorescentes tipo GU24, de 13 watts (máximo).
- Coloque las arandelas y la pantalla de vidrio sobre la varilla de montaje y alinee la pantalla sobre el platillo de la rejilla. Fije la pantalla sobre el platillo de la rejilla con la arandela y la tuerca de remate, como se muestra.
- Restablezca la energía eléctrica y compruebe el funcionamiento de la unidad.

## USO Y CUIDADO

**ADVERTENCIA: ANTES DE LIMPIAR O DAR SERVICIO ESTA UNIDAD, DESCONECTE EL SUMINISTRO DE ENERGÍA Y BLOQUEE EL PANEL DE SERVICIO.**

### REEMPLAZO DE LA BOMBILLA

Retire la pantalla de vidrio. Reemplace las bombillas tal como se requiera. Regrese a su lugar la pantalla de vidrio.

Utilice bombillas fluorescentes tipo GU24 de 13Watts (máximo), con una longitud total máxima de 4.8 pulg. (12.2 cm) o menos.

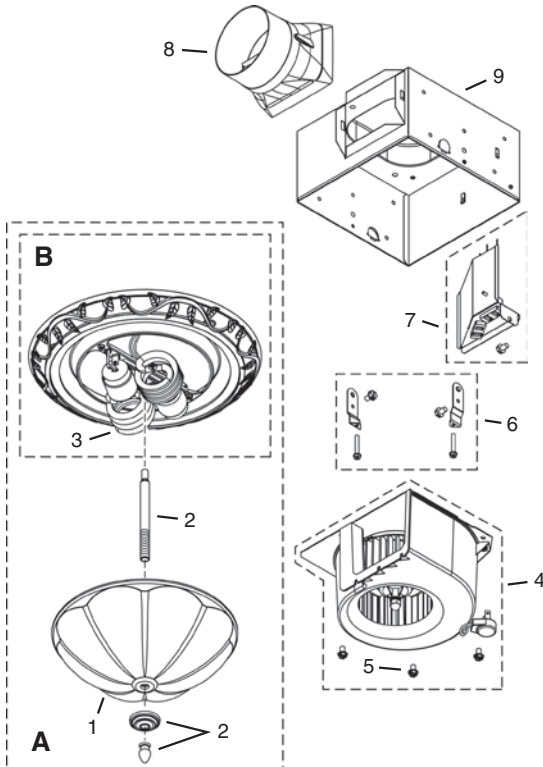
### LUBRICACIÓN DEL MOTOR

El motor está permanentemente lubricado. No lubrique ni desarme el motor.

## PIEZAS DE SERVICIO

CLAVE N.º	PIEZA N.º	DESCRIPCIÓN
1	99526708	Pantalla de vidrio
2	97018648	Pantalla de vidrio
3	99271452	Lámpara fluorescente tipo GU24, 13 W (req. 2)
4	97018749	Conjunto del ventilador (incluye clave N.º 5; req. 3)
5	99160441	Tornillo, motor N.º 8-32 x 0.275 pulg. (req. 3)
6	97018781	Conjunto del soporte de la rejilla
7	97018750	Conjunto del panel de cableado
8	97018804	Conector del regulador de tiro/conducto
9	97018729	Conjunto de la cubierta
A	97018716	Conjunto del accesorio de la lámpara (incluye claves N.º 1, 2 y B)
B	97018751	Conjunto del platillo de la rejilla (no incluye clave N.º 3)

Order replacement parts by "PART NO." - not by "KEY NO."



## USO Y CUIDADO

### LIMPIEZA

#### PARA LIMPIAR LA PANTALLA DE VIDRIO Y EL PLATILLO DE LA REJILLA:

Retire la pantalla de vidrio. La pantalla se puede limpiar con una solución de detergente suave o limpiador de vidrios, y secarse con un paño suave. Retire las 2 bombillas. El platillo de la rejilla se puede aspirar suavemente y limpiar con un paño suave. Nunca use telas abrasivas, fibras de lana de acero ni polvos abrasivos sobre la pantalla de vidrio o el platillo de la rejilla. **NUNCA SUMERJA EN AGUA LAS PIEZAS METÁLICAS NI LAS ELÉCTRICAS.**

#### PARA LIMPIAR EL CONJUNTO DEL VENTILADOR:

Retire el platillo de la rejilla y desconecte el conjunto del ventilador (receptáculo negro). Con una aspiradora limpie cuidadosamente el ventilador, el motor y el interior de la cubierta. **NUNCA SUMERJA EN AGUA LAS PIEZAS METÁLICAS NI LAS ELÉCTRICAS.**

## GARANTÍA

### VENTILADORES/LÁMPARAS DE NUTONE GARANTÍA LIMITADA

**PERIODO DE GARANTÍA:** NuTone garantiza al consumidor comprador original del ventilador/lámpara de NuTone (el "Ventilador" que el ventilador, incluso las lámparas/bombillas, estará libre de defectos en materiales o mano de obra durante un periodo de un (1) año a partir de la fecha de la compra original. La garantía en las bombillas/lámparas provista con el ventilador no cubre el rompimiento de las bombillas/lámparas. Esta garantía no cubre accesorios, como controles de velocidad, que pueden comprarse por separado e instalarse con el ventilador.

El periodo de garantía limitada para las piezas de repuesto y para los ventiladores reparados o reemplazados bajo esta garantía limitada continuará durante el resto del periodo de garantía original.

**NO HAY OTRAS GARANTÍAS:** LAS GARANTÍAS ANTERIORES SON EXCLUSIVAS Y EN LUGAR DE CUALQUIER OTRA GARANTÍA, EXPRESA O IMPLÍCITA. NUTONE NEGIA Y EXCLUYE CUALQUIER OTRA GARANTÍA EXPRESA, Y NEGIA Y EXCLUYE TODAS LAS GARANTÍAS IMPLÍCITAS POR LEY, INCLUYENDO, SIN LIMITACIONES, LAS DE COMERCIALIZACIÓN Y APTITUD PARA UN PROPOSITO EN PARTICULAR. HASTA EL GRADO QUE LA LEY APLICABLE PROHIBA LA EXCLUSIÓN DE GARANTÍAS LIMITADAS, LA DURACIÓN DE CUALQUIER GARANTÍA IMPLÍCITA APLICABLE ESTÁ LIMITADA AL PERIODO ESPECIFICADO PARA LA GARANTÍA EXPRESA. Algunos estados no permiten limitaciones en la duración de una garantía implícita, así que la limitación anterior tal vez no aplique en su caso. Cualquier descripción verbal o escrita del ventilador es para el único propósito de identificarlo y no deberá considerarse como una garantía expresa.

**RECURSO:** Durante el periodo de garantía limitada aplicable, NuTone, a su opción, suministrará piezas de repuesto, o reparará o reemplazará, sin cargo alguno, cualquier ventilador o pieza del mismo, hasta el grado en que NuTone lo encuentre cubierto bajo esta garantía limitada y en incumplimiento de la misma. NuTone le enviará el ventilador reparado o reemplazado o las piezas de repuesto sin cargo. Usted es responsable de todos los costos de retiro, reinstalación y envío, seguro u otros cargos de flete incurridos en el envío del ventilador o la pieza a NuTone. Esta garantía no cubre (a) mantenimiento y servicio normal, (b) uso y desgaste normal, (c) ventiladores o piezas sujetos a mal uso, abuso, uso anormal, negligencia, accidente, mantenimiento inadecuado o insuficiente, almacenamiento o reparación (que no sea reparación por parte de NuTone), (d) daños causados por instalación defectuosa, o bien instalación o uso contrario a las recomendaciones o instrucciones, (e) cualquier ventilador que se haya movido de su punto de instalación original, (f) daños ocasionados por el medio ambiente o los elementos naturales, (g) daños en tránsito, (h) desgaste natural del acabado, (i) ventiladores en uso comercial o no residencial, o (j) daños ocasionados por incendio, inundación u otro caso fortuito. Esta garantía cubre únicamente los ventiladores vendidos en Estados Unidos o Canadá o a través de distribuidores autorizados por NuTone.

**EXCLUSIÓN DE DAÑOS:** LA OBLIGACIÓN DE NUTONE DE SUMINISTRAR PIEZAS DE REPUESTO, O DE REPARAR O REEMPLAZAR, A OPCIÓN DE NUTONE, SERÁ SU ÚNICO Y EXCLUSIVO REMEDIO BAJO ESTA GARANTÍA LIMITADA, Y LA ÚNICA Y EXCLUSIVA OBLIGACIÓN DE NUTONE. NUTONE NO SERÁ RESPONSABLE POR DAÑOS INCIDENTALES, INDIRECTOS, RESULTANTES O ESPECIALES QUE SURJAN POR EL USO O DESEMPEÑO DEL VENTILADOR, O EN RELACIÓN CON EL MISMO. Los daños incidentales incluyen, entre otros, daños como la pérdida de tiempo y la pérdida de uso. Los daños resultantes incluyen, entre otros, el costo de reparar o reemplazar otros bienes que fueran dañados si el ventilador no funcionara adecuadamente.

Algunos estados no permiten la exclusión o limitación de daños incidentales o resultantes, por lo que la limitación antes mencionada podría no aplicarse a usted. Esta garantía le otorga derechos legales específicos, y usted podría tener otros derechos que varían de un estado a otro.

Esta garantía sustituye todas las garantías anteriores y no es transferible del comprador consumidor original. NUTONE NO SERÁ RESPONSABLE ANTE USTED, O ANTE NADIE QUE RECLAME POR USTED, DE NINGUNA OTRA OBLIGACIÓN O RESPONSABILIDAD QUE INCLUYEN, ENTRE OTRAS, OBLIGACIONES O RESPONSABILIDADES QUE SURJAN POR INCUMPLIMIENTO DE CONTRATO O GARANTÍA, NEGLIGENCIA U OTRO ACTO ILÍCITO O CUALQUIER TEORÍA DE RESPONSABILIDAD ESTRUCTIVA, CON RESPECTO AL VENTILADOR O A LOS ACTOS U OMISSIONES DE NUTONE O DE CUALQUIER OTRA INDOLE.

Esta garantía cubre únicamente el reemplazo o la reparación de ventiladores o piezas de los mismos con defectos en la planta principal de NuTone, y no incluye el costo del viaje para el servicio de campo ni los viáticos.

Cualquier asistencia que proporcione o procure NuTone para usted fuera de los términos, limitaciones o exclusiones de esta garantía limitada no constituirá una renuncia a dichos términos, limitaciones o exclusiones, ni dicha asistencia extenderá o renovará la garantía.

NuTone no le reembolsará ningún gasto en el que usted haya incurrido al reparar o reemplazar cualquier ventilador defectuoso, excepto los incurridos con el permiso previo por escrito de NuTone.

**CÓMO OBTENER EL SERVICIO CUBIERTO POR LA GARANTÍA:** Para tener derecho al servicio cubierto por la garantía, usted debe (a) notificar a NuTone a la dirección o número de teléfono que aparecen abajo en un plazo de siete (7) días después de descubrir el defecto cubierto, (b) proporcionar el número de modelo y la identificación de la pieza y (c) describir la naturaleza de cualquier defecto en el ventilador o la pieza. En el momento de solicitar el servicio cubierto por la garantía, debe presentar un comprobante de la fecha original de compra.

Broan-NuTone LLC, 926 West State Street, Hartford, WI 53027 (1-800-637-1453)

Si debe enviar el ventilador o la pieza a NuTone y tal como lo indique NuTone, debe empaquetar adecuadamente el ventilador o la pieza; NuTone no se hace responsable por los daños en tránsito.